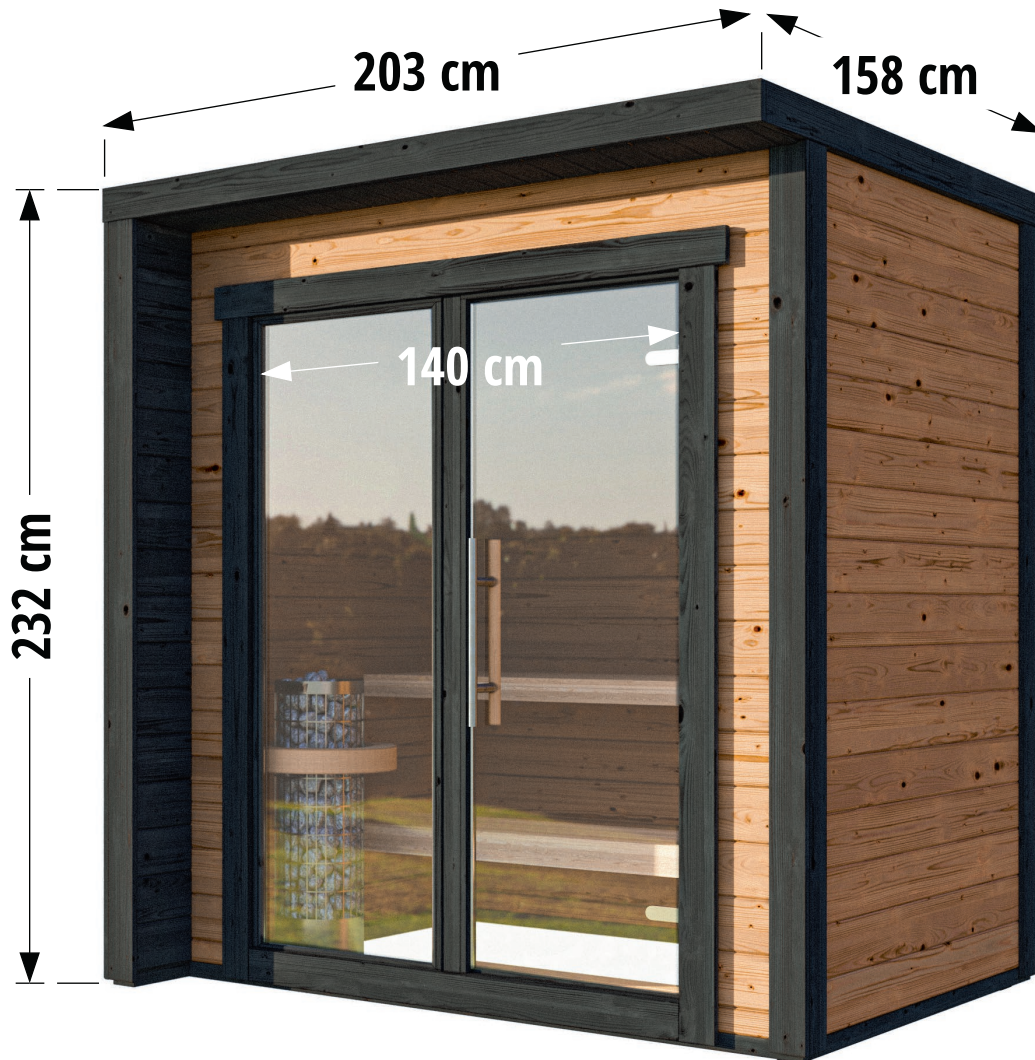


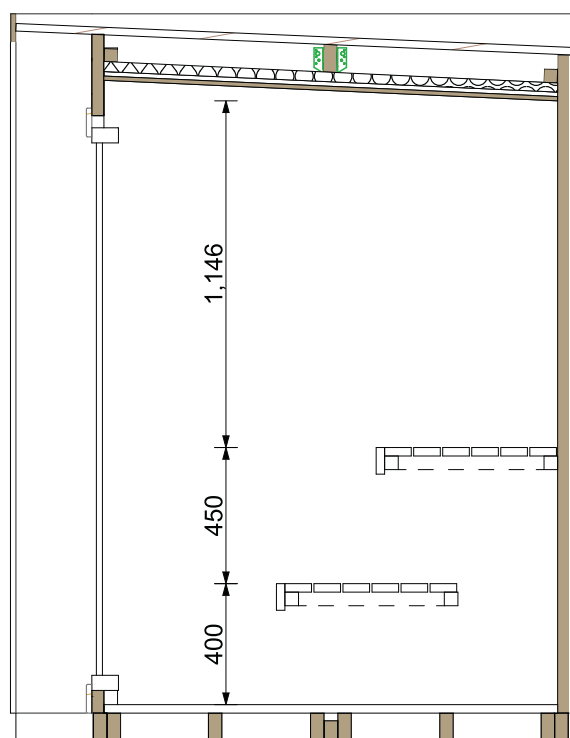
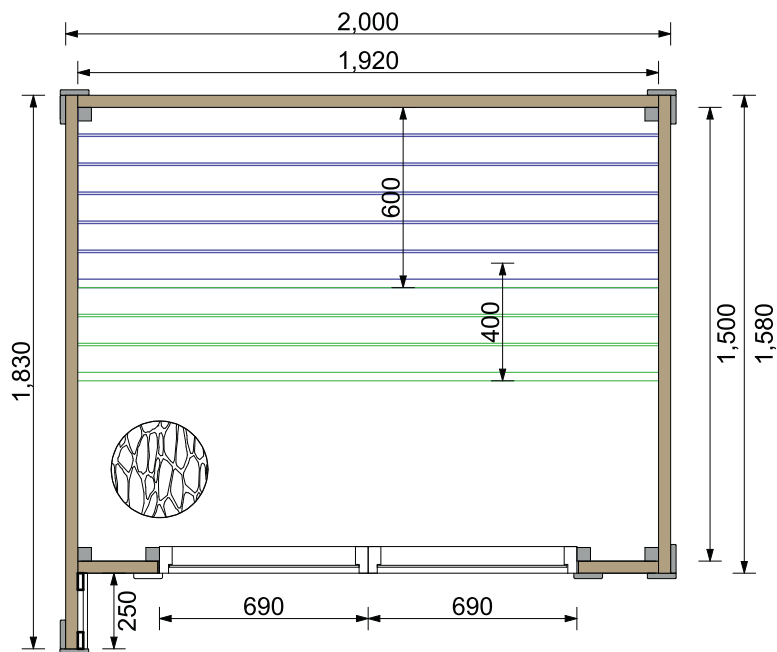
Blockbohlensauna **ELEMENT NANO**



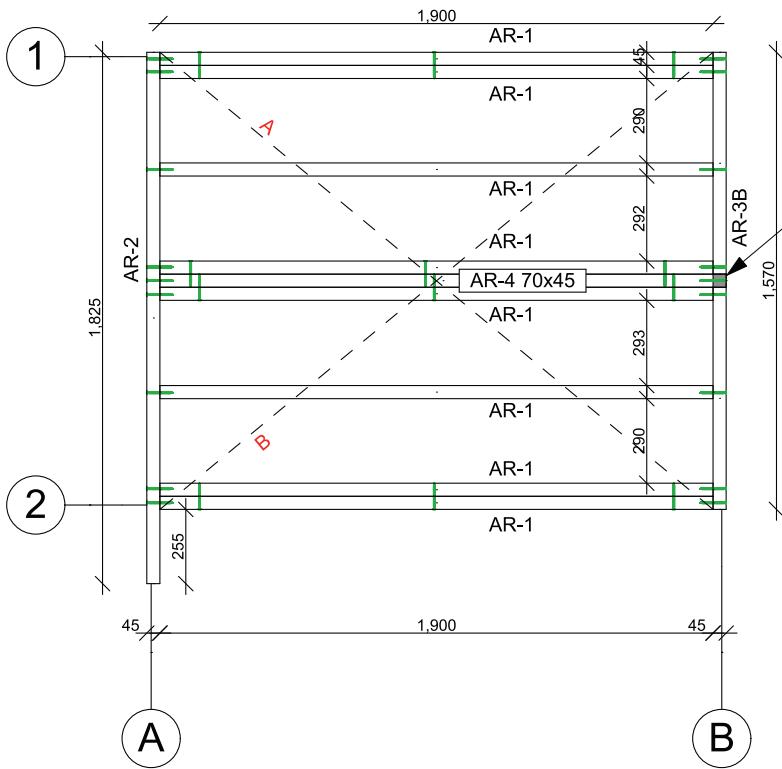
BLOCKBOHLENSAUNA **ELEMENT NANO**



BLOCKBOHLENSAUNA ELEMENT NANO

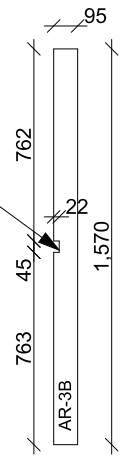


Floor Frame



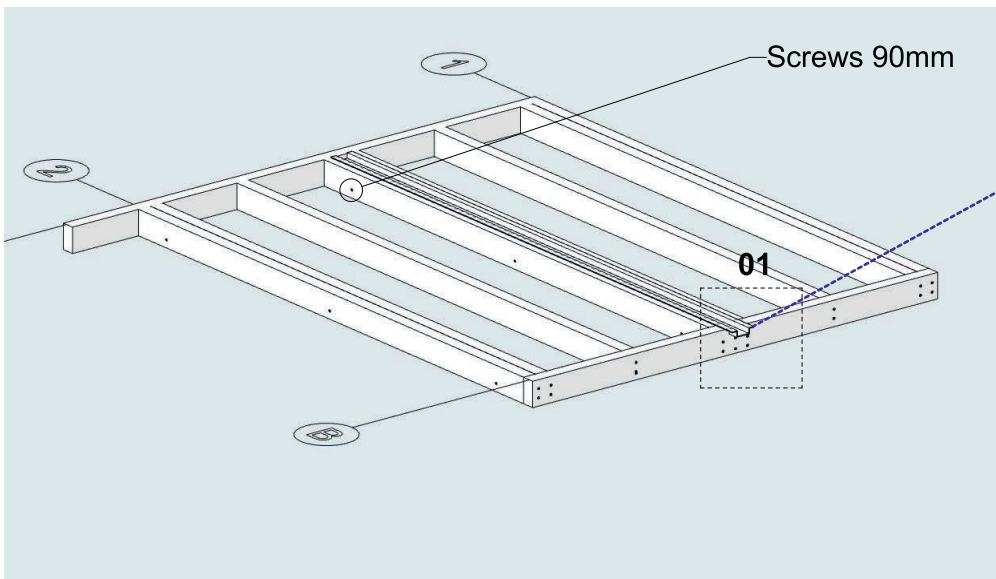
Screws 90mm

Floor frame detail AR-3B

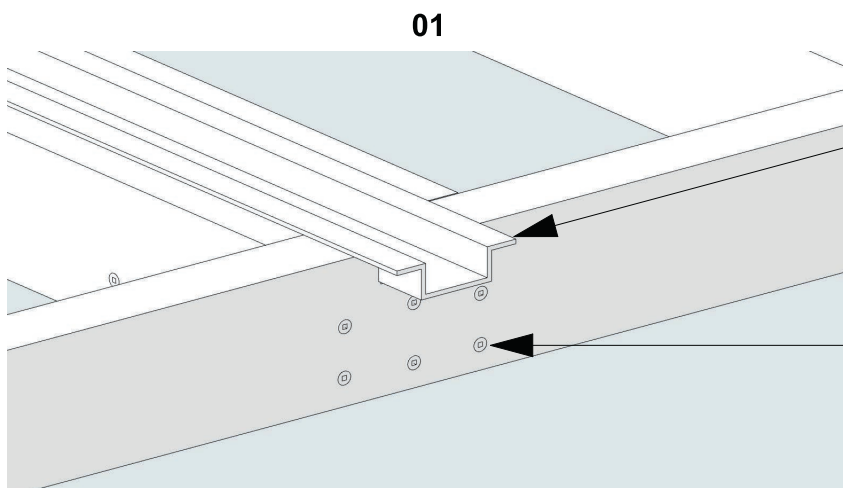


Cutout for water drainage

- *Check floor frame diagonals A=B
- *Use 90mm screws and battery drill



Install water drainage detail before first log wall row



Water drainage detail
Take care sharp edges!

Screws 90mm